



325 COMMERCE DRIVE
 MT VERNON, OH 43050
 800-253-8236

SPECIFICATION DATA SHEET

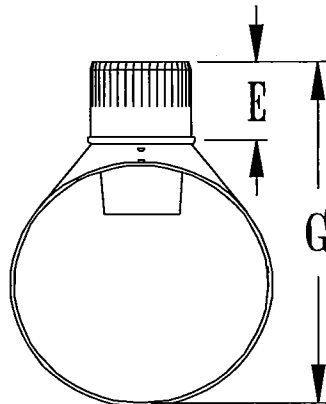
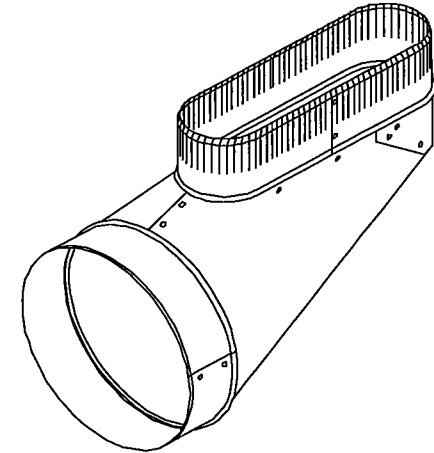
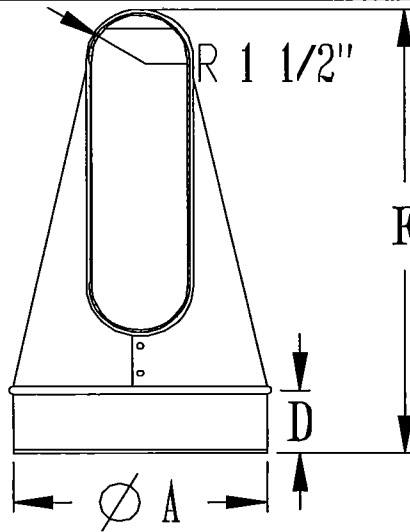
DATE: 8-14-13
 PREPARED BY: RL

MODEL NO. 586
OVAL END BOOT - WITH CRIMP

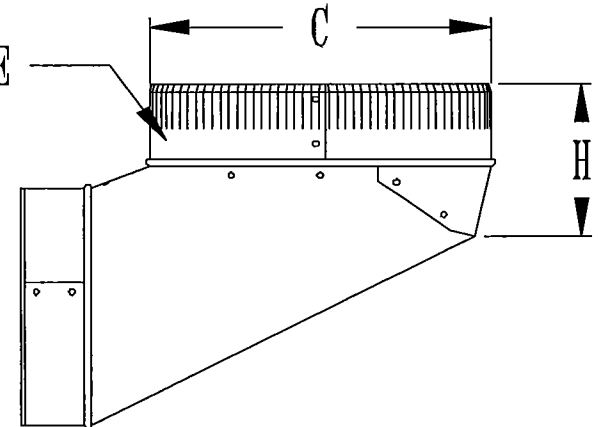
STANDARD MODEL

DIMENSIONS

| SIZE | A | B | C | D | E | F | G | H |
|----------|----|----|---------|--------|--------|-----------|----------|--------|
| 5" | 5" | 5" | 6 1/8" | 2"-HEM | 2 1/2" | 9 1/2" | 8 3/16" | 4 7/8" |
| 6" TO 7" | 6" | 7" | 9 1/4" | 2"-HEM | 2 1/2" | 12 11/16" | 9 3/16" | 4 7/8" |
| 7" | 7" | 7" | 9 1/4" | 2"-HEM | 2 1/2" | 12 11/16" | 10 3/16" | 5 3/8" |
| 7" TO 8" | 7" | 8" | 10 3/4" | 2"-HEM | 2 1/2" | 14 9/16" | 10 3/16" | 5 3/8" |
| 8" | 8" | 8" | 10 3/4" | 2"-HEM | 2 1/2" | 13 11/16" | 12" | 5 3/8" |



B: OVAL SIZE EQUIVALENT



MATERIAL SPECIFICATIONS

HOT DIPPED GALVANIZED STEEL.
 PER ASTM A 653 CSB.
 BODY & COLLARS = STANDARD GAUGE
 ASSEMBLED WITH 1/8" ZINC COATED RIVETS.

OPTIONS

AVAILABLE WITHOUT CRIMP
 6" IS AVAILABLE WITH DIE-STAMPED BODY

JOB: _____
 LOCATION: _____
 CONTRACTOR: _____
 ENGINEER: _____
 NOTES: _____



325 COMMERCE DRIVE
 MT VERNON, OH 43050
 800-253-8236

SPECIFICATION DATA SHEET

DATE: 8-14-13
 PREPARED BY: RL

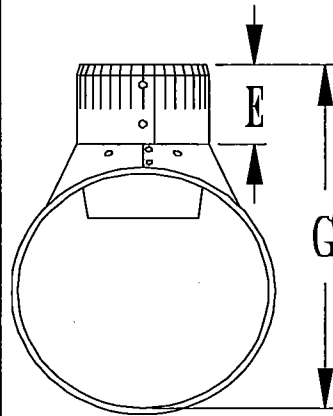
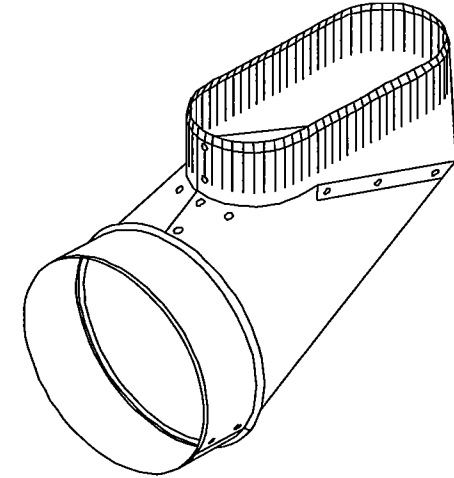
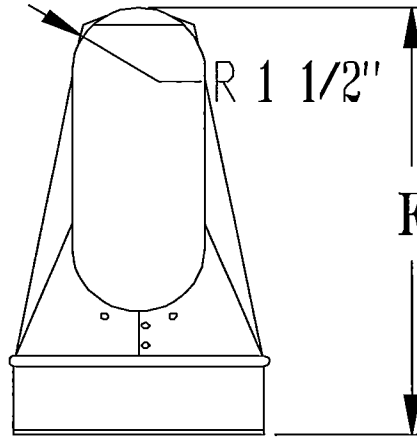
MODEL NO. 586

6" OVAL END BOOT - WITH CRIMP

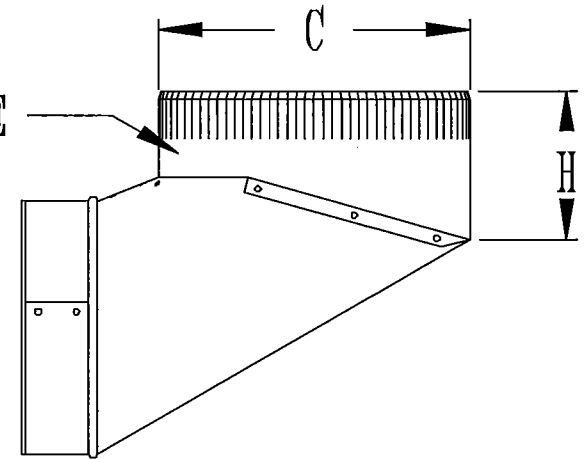
STANDARD MODEL

DIMENSIONS

| SIZE | A | B | C | D | E | F | G | H |
|------|----|----|--------|--------|--------|----------|---------|--------|
| 6" | 6" | 6" | 7 5/8" | 2"-HEM | 2 1/2" | 10 7/16" | 8 7/16" | 3 7/8" |



B: OVAL SIZE EQUIVALENT



MATERIAL SPECIFICATIONS

HOT DIPPED GALVANIZED STEEL.
 PER ASTM A 653 CSB.
 BODY & COLLARS = STANDARD GAUGE
 ASSEMBLED WITH 1/8" ZINC COATED RIVETS.

OPTIONS

JOB: _____
 LOCATION: _____
 CONTRACTOR: _____
 ENGINEER: _____
 NOTES: _____